

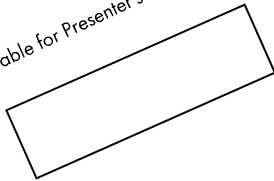
224 Main Street
Alta, Iowa 51002
712.284.2881



hello@peopleworksinc.com
www.peopleworksinc.com

Table Group Arrangement 12-24 Participants

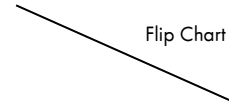
Table for Presenter's Materials



Screen

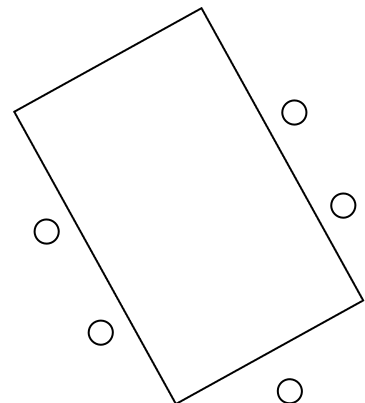
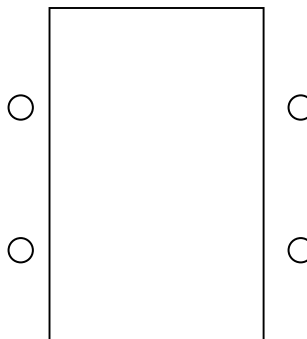
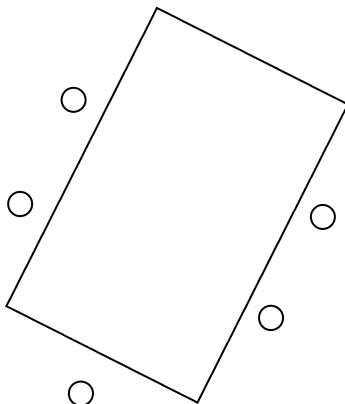
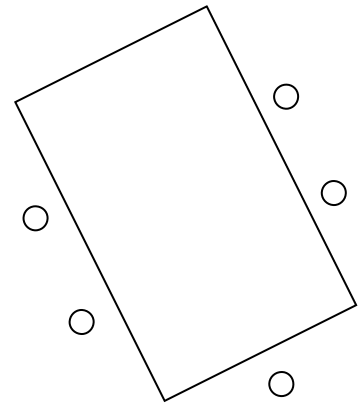
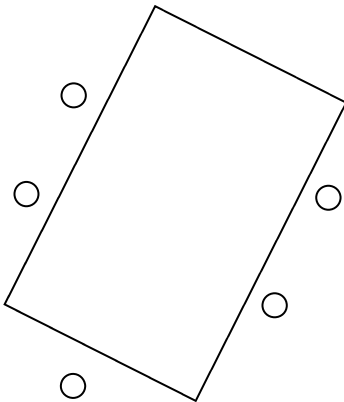
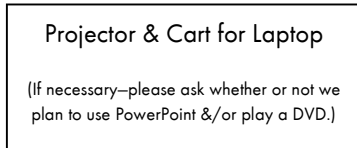


Flip Chart



Projector & Cart for Laptop

(If necessary—please ask whether or not we plan to use PowerPoint &/or play a DVD.)



**A table group configuration is most ideal. Either round or rectangle tables would be great. If there isn't room for 5 tables, doing 3 tables with up to 8 people/table will work. Thanks for helping make your event a success!

